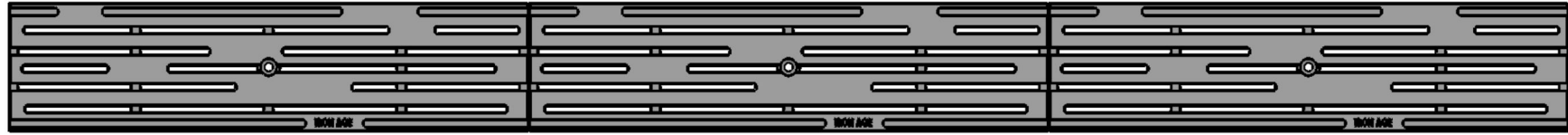


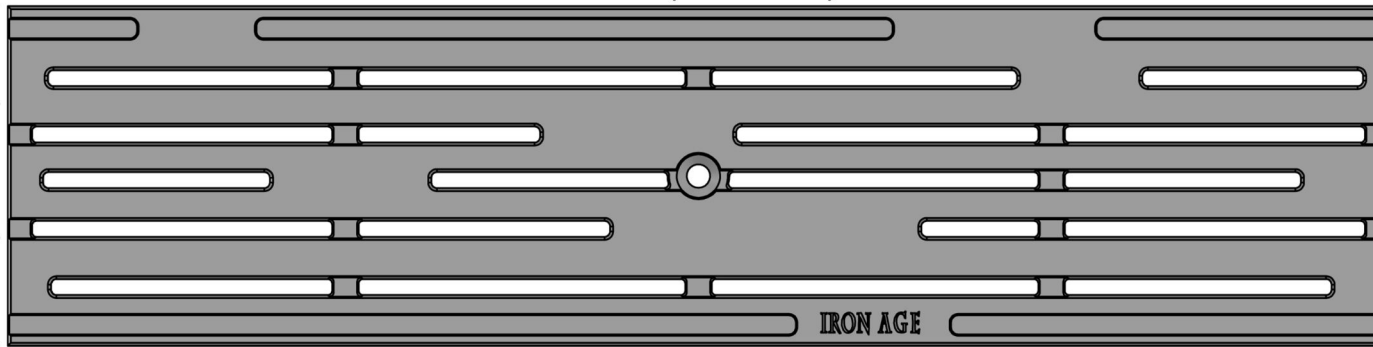
ARRAY



TOP

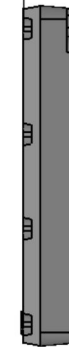
496.8875mm
(19.5625")

122.2375mm
(4.8125")



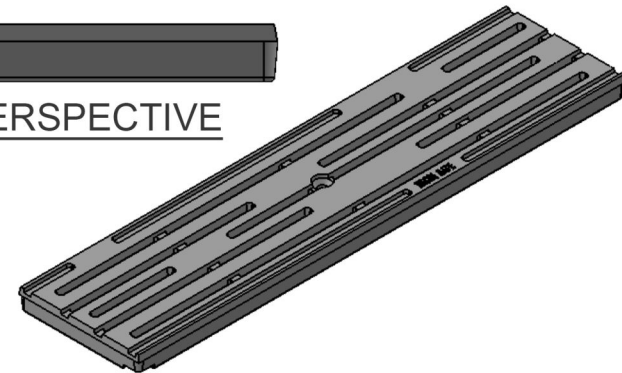
20.6375mm
(0.8125")

EDGE



SIDE

PERSPECTIVE



Pattern : Rain

Material : Cast Iron

Rain 497 x 122 mm Channel Grate

Rain 5" x 20" Heel-Proof Trench Grate

Finish : Natural

Thickness : 20.63750

Drawing no : RAI-CG-497-122 Product no : CI106-497-122CG

Dimensions : 496,8875 x
122,2375

Units : mm



Unit 5 Cotswold Business Park
Millfield Lane
Beds LU1 4AJ

Load Class : N/A

Flow rate : 18.2%

info@lateraldesignstudio.co.uk

0208 450 2244