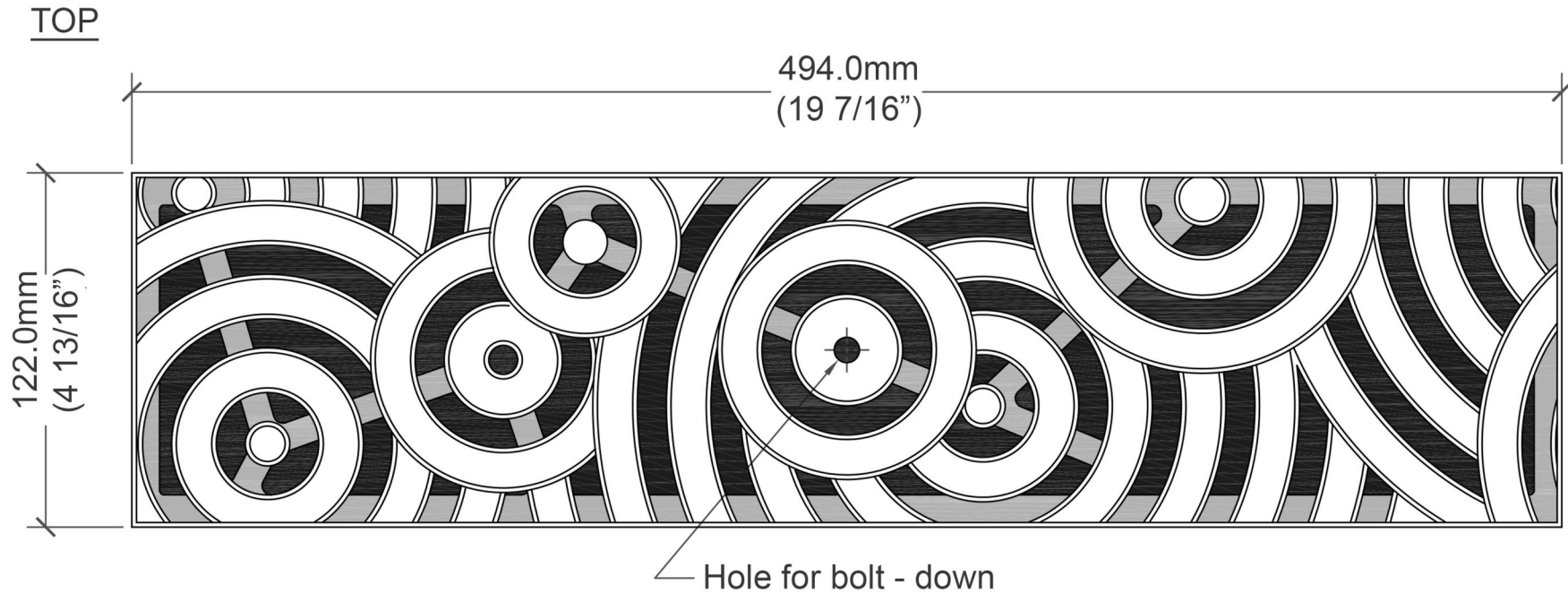
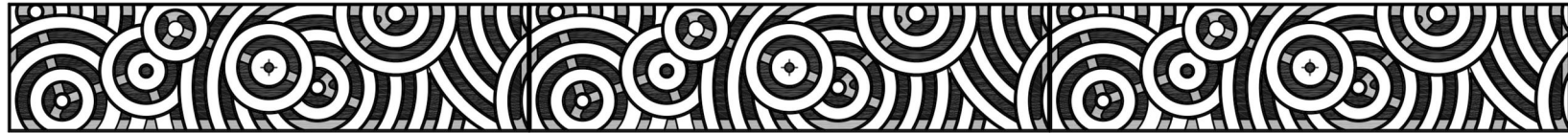


Issue	Date	Description	Name
A	19.5.2016	Detail Drawn	MP

3 GRATES ARRAYED



Pattern : Oblio	Material : Cast Iron
Finish : Natural Finish	Thickness : 20.6375
Dimensions : 494 x 122	Units : mm
Load Class : N/A	Flow rate : 23%

Oblio 494 x 122 mm Channel Grate
 Oblio 5" trench cover
 Drawing no : OBL-CG-494-122 Product no : CI100-494-122CG

1. Due to casting inconsistencies all dimensions are nominal
2. No openings greater than 12.7 mm
3. Weight 11 pounds
4. Please discuss about channel drain options



Unit 5 Cotswold Business Park
 Millfield Lane
 Beds LU1 4AJ

