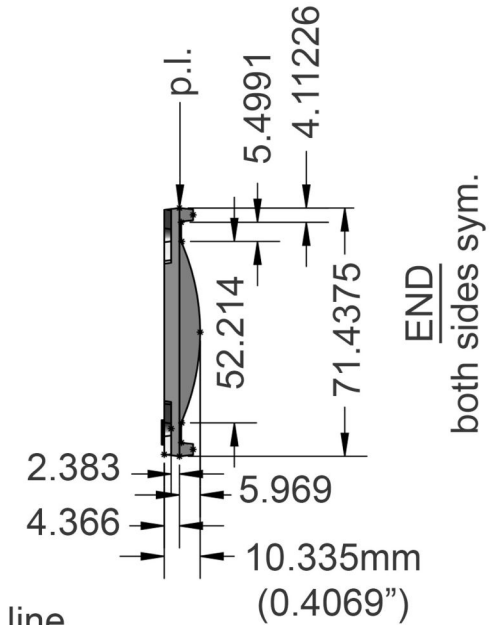
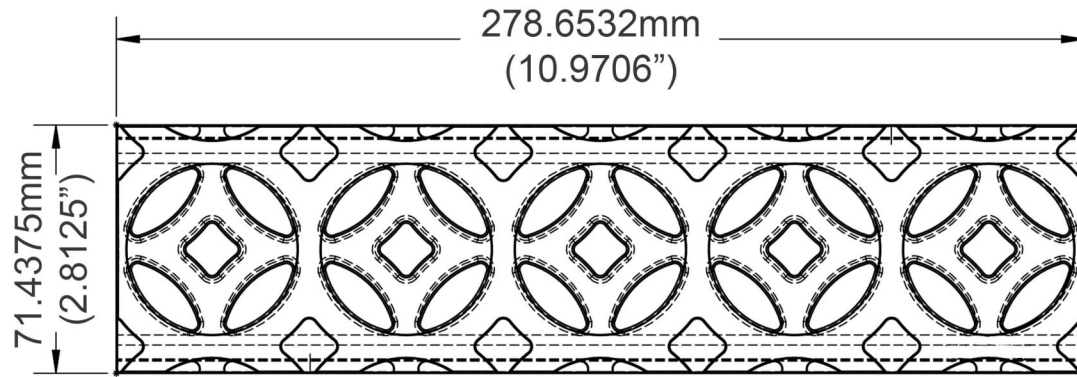
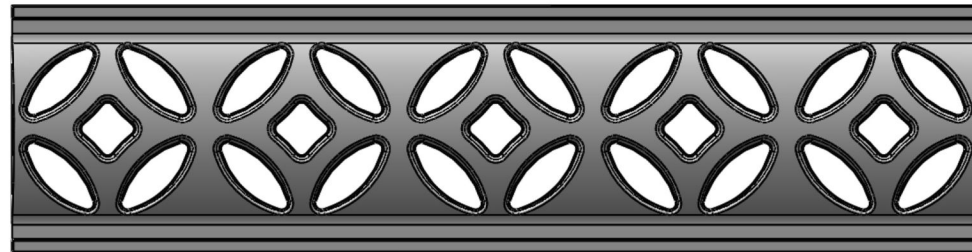


TOP

hidden lines shown hatched



EDGE



BOTTOM



Pattern : Interlaken

Material : Cast Iron

Interlaken 278 x 71 mm Channel Grate

Interlaken 3" trench drain

Finish : Natural Finish

Thickness : 10.33526

Drawing no : INT-CG-278-71

Product no : CI66-278-71CG

Dimensions : 278,6532 x 71,4375

Units : mm



Unit 5 Cotswold Business Park
Millfield Lane
Beds LU1 4AJ

Load Class : N/A

Flow rate : 32%



info@lateraldesignstudio.co.uk

0208 450 2244

1. Due to casting inconsistencies all dimensions are nominal
2. No openings greater than 6.35 mm
3. Dims are at parting line
4. Weight 1.6 pounds
5. Please discuss about channel drain options

Copyright 2011-2016 Lateral Design Studio Limited. This drawing and subject matter disclosed therein, embody proprietary information which is the confidential property of Lateral Design Studio Ltd, none of which shall be copied, reproduced, disclosed to others, published or used, in whole or in part, without the express advanced written permission of a duly authorised agent of the company. This drawing is subject to recall by Lateral Design Studio Ltd.