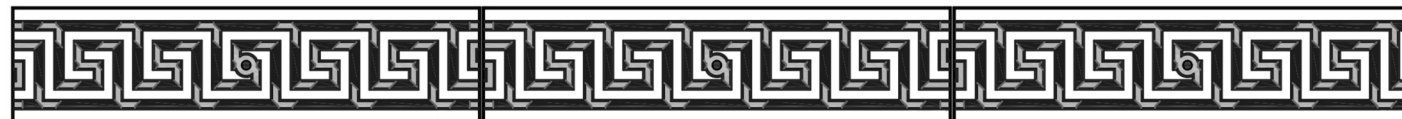
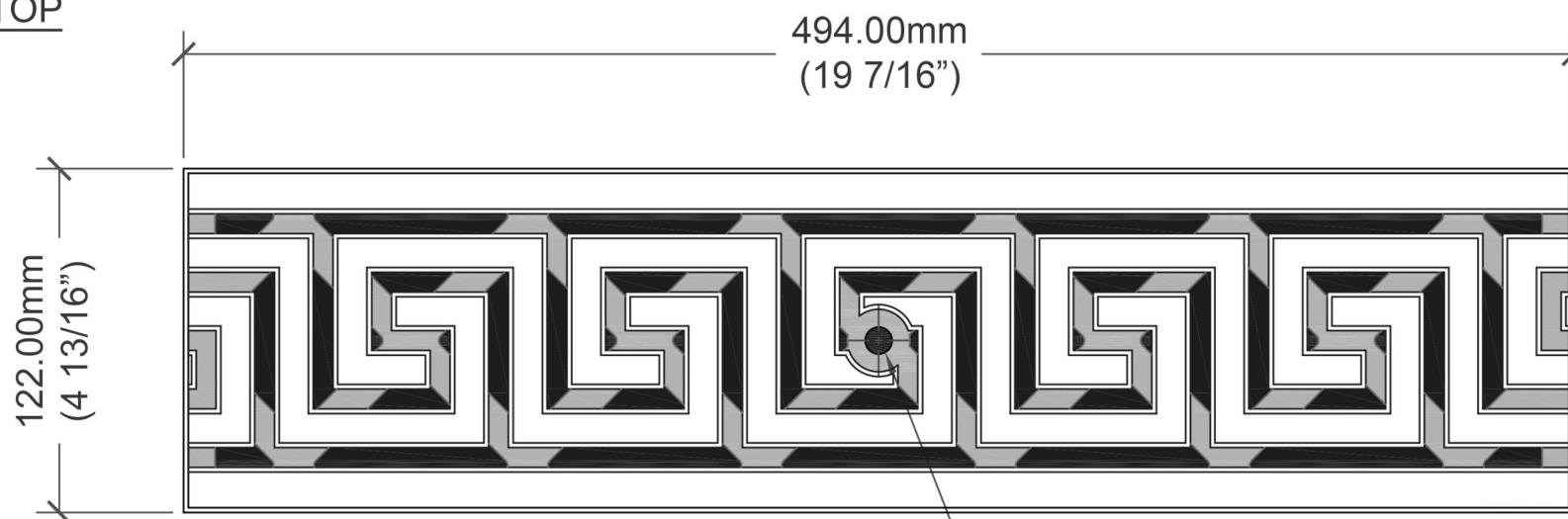


3 GRATES ARRAYED



TOP



Hole for bolt - down



Pattern : Greek Key

Material : Cast Iron

Greek Key 498 x 122 mm Channel Grate

Greek Key 5" trench cover

Finish : Natural Finish

Thickness : 20.6375

Drawing no : GRE-CG-498-122 Product no : CI64-498-122CG

- 1. Due to casting inconsistencies all dimensions are nominal
- 2. No openings greater than 12.7 mm
- 3. Weight 11 pounds
- 4. Please discuss about channel drain options

Dimensions : 494 x 122

Units : mm



Unit 5 Cotswold Business Park
Millfield Lane
Beds LU1 4AJ

Load Class : N/A

Flow rate : 17%

info@lateraldesignstudio.co.uk

0208 450 2244

