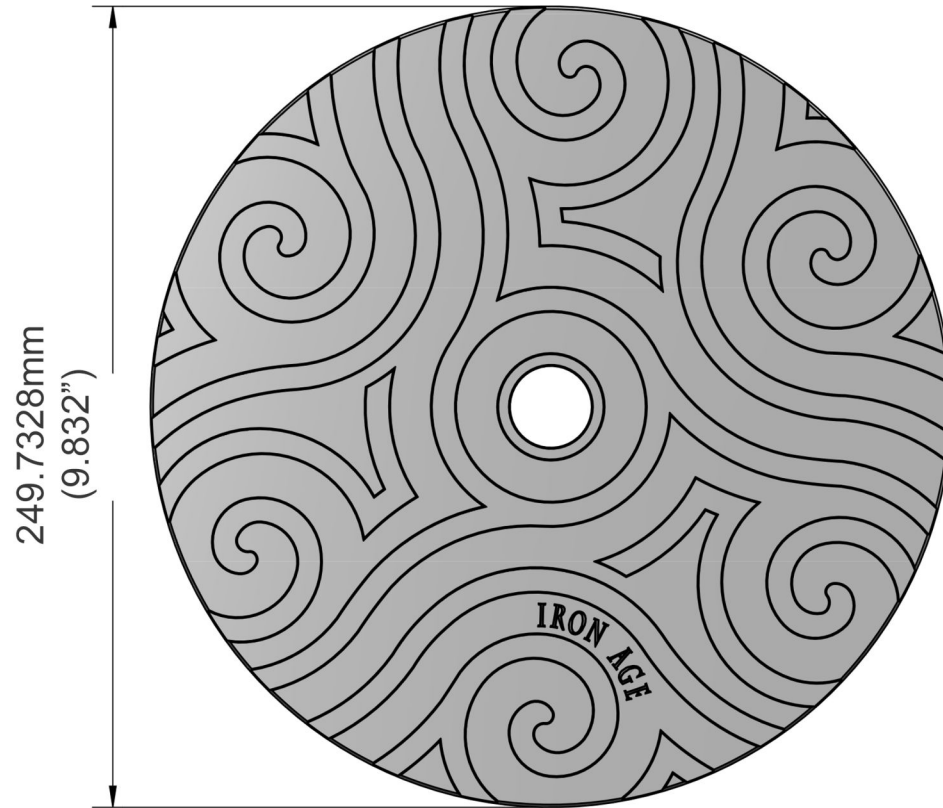
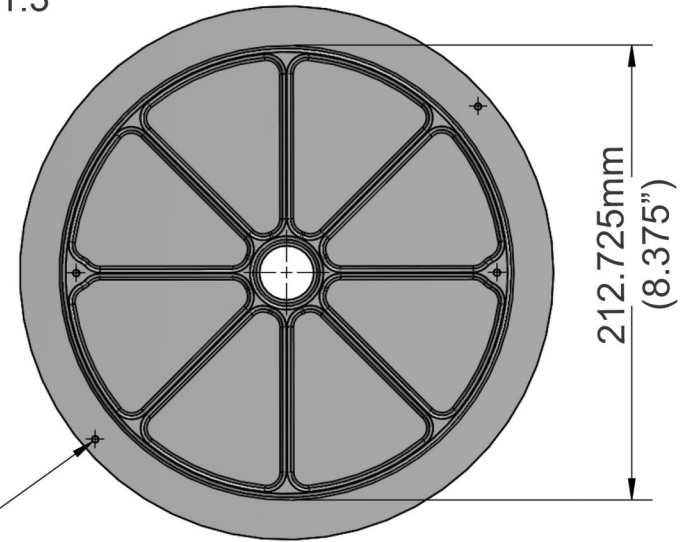


TOP  
scale 1:2



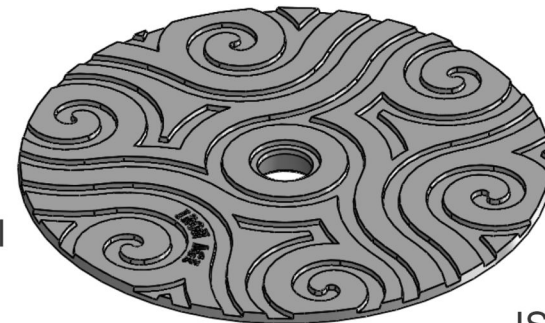
BACK  
scale 1:3





(x4) drill point - on rear - to locate bold down holes



SIDE  
scale 1:2



ISOMETRIC  
scale 1:3

 <p><b>IRON AGE</b> DESIGNS <a href="http://www.ironagegrates.co.uk">www.ironagegrates.co.uk</a></p> <p>1. Due to casting inconsistencies all dimensions are nominal 2. Please discuss about channel drain options</p>	Pattern : Argo	Material : Cast Bronze	<b>Argo 250 mm Skimmer Lid</b> Argo 10" skimmer lid	
	Finish : Natural	Thickness : 17.78	Drawing no : ARG-SL-250	Product no : CI63-250SL
	Dimensions : 249,7328	Units : mm	 <p><b>LATERAL</b> DESIGN STUDIO <a href="http://www.lateraldesignstudio.co.uk">www.lateraldesignstudio.co.uk</a></p>	Unit 5 Cotswold Business Park Millfield Lane Beds LU1 4AJ
	Load Class : N/A	Flow rate : N/A		
Copyright 2011-2016 Lateral Design Studio Limited. This drawing and subject matter disclosed therein, embody proprietary information which is the confidential property of Lateral Design Studio Ltd, none of which shall be copied, reproduced, disclosed to others, published or used, in whole or in part, without the express advanced written permission of a duly authorised agent of the company.				